

Request for Quotation
AMERICAN SHOP TOOLS
Toll Free: 877-439-3933

DISTRIBUTOR: _____ DATE: _____

SALES REP: _____

PHONE: _____

EMAIL: _____

Dimensions:

A: _____

B: _____

C: _____

D: _____

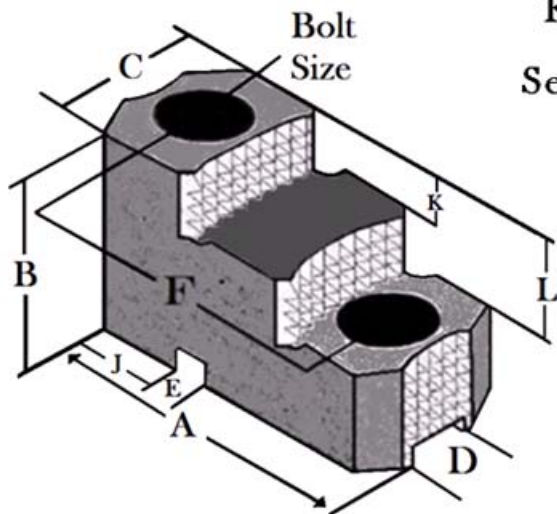
F: _____

J: _____

K: _____

L: _____

**ACME
Keyed
&
Serrated**



Bolt Size: _____ Serrations: _____

Chuck Mfr.: _____ Qty.: _____

Send to: sales@americanshoptools.com
or Toll Free Fax: 855-211-8372