

Request for Quotation

AMERICAN SHOP TOOLS, LLC
TOLL FREE: 1-877-439-3933

DISTRIBUTOR: _____ DATE: _____

SALES REP: _____

PHONE: _____

EMAIL: _____

Chuck Mfr.: _____

Square, Keyed
Serrated Soft Jaw

Mtrl.: _____

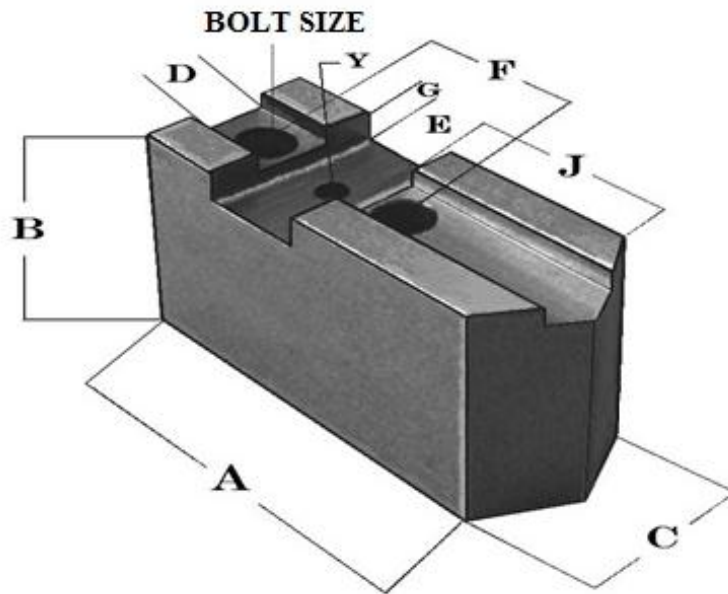
Qty: _____
(ea.)

Std: _____

O: _____

OP: _____

P: _____



Price w/ Delivery of:

Standard: _____

Expedited: _____

Rush: _____

Chuck	A	B	C	D	E	F	G	J	Y	Bolt	Serration

Send to: sales@americanshoptools.com

or Toll Free Fax: 855-211-8372