

**Request for Quotation**  
**AMERICAN SHOP TOOLS**  
 Toll Free: 877-439-3938

DISTRIBUTOR: \_\_\_\_\_ DATE: \_\_\_\_\_

SALES REP: \_\_\_\_\_

PHONE: \_\_\_\_\_

EMAIL: \_\_\_\_\_

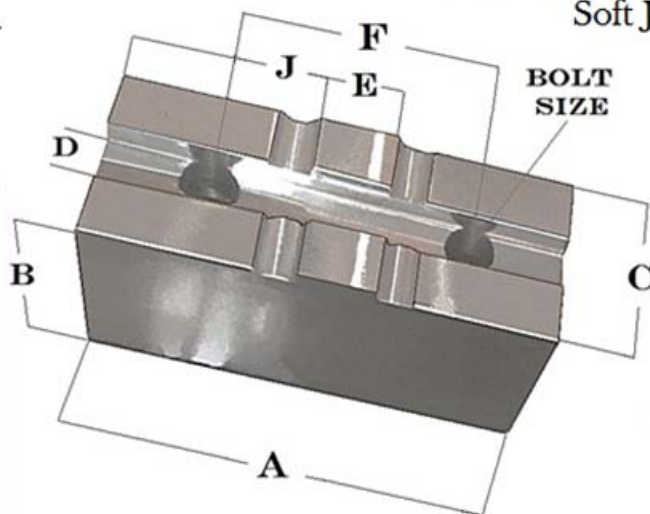
Chuck Mfr.: \_\_\_\_\_

Mtrl.: \_\_\_\_\_

Qty: \_\_\_\_\_

(ea.)

American Standard  
 Tongue & Groove  
 Soft Jaw



Price w/ Delivery of:

Standard: \_\_\_\_\_

Expedited: \_\_\_\_\_

Rush: \_\_\_\_\_

Std: \_\_\_\_\_

OP: \_\_\_\_\_

OP: \_\_\_\_\_

P: \_\_\_\_\_

Chuck	A	B	C	D	E	F	J	Bolt

Send to: [sales@americanshoptools.com](mailto:sales@americanshoptools.com)  
 or Toll Free Fax: 855-211-8372