

Request for Quotation
AMERICAN SHOP TOOLS
Toll Free: 877-439-3933

DISTRIBUTOR: _____ DATE: _____

SALES REP: _____

PHONE: _____

EMAIL: _____

Dimensions

A: _____

B: _____

C: _____

D: _____

F: _____

J: _____

R: _____

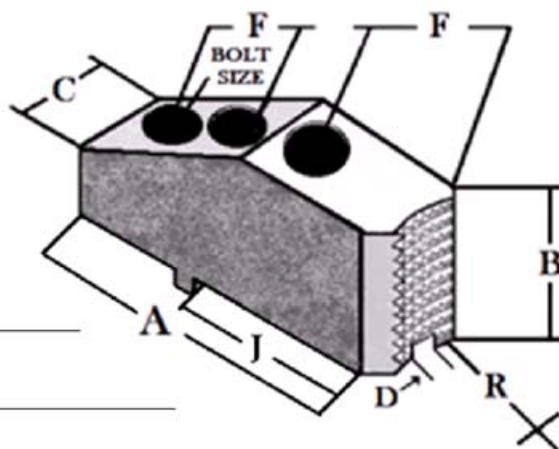
Qty.: _____

Serration: _____

Bolt Size: _____

Chuck Mfr.: _____

Extended



Send to: sales@americanshoptools.com
or Toll Free Fax: 855-211-8372