

Request for Quotation
AMERICAN SHOP TOOLS
Toll Free: 877-439-3938

DISTRIBUTOR: _____ DATE: _____

SALES REP: _____

PHONE: _____

EMAIL: _____

Dimensions:

A: _____

B: _____

C: _____

D: _____

F: _____

K: _____

L: _____

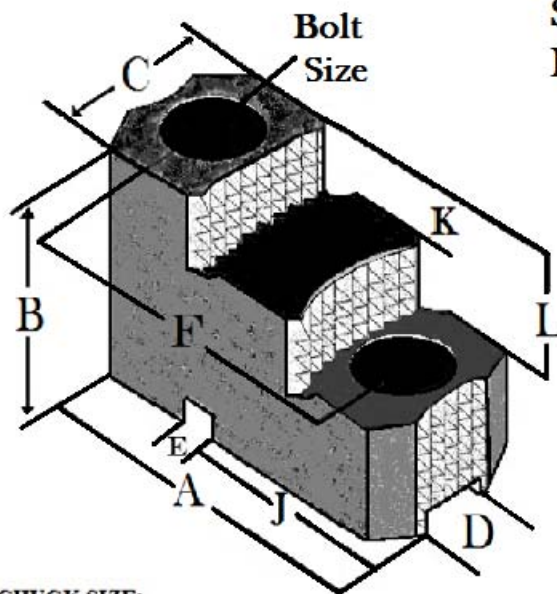
Bolt

Size: _____ **CHUCK SIZE:** _____

CHUCK MFR.: _____

QTY: _____ (E.A.)

**Square, Keyed,
Serrated &
Reversible**



Send to: sales@americanshoptools.com
or Toll Free Fax: 855-211-8372